

技术规范 Technical Parameter

设计依据 Design Basis		GB
设计标准 Design Standard		GB/12238
结构长度 Face to Face Dimension	对夹连接 Wafer Connecting	GB/12221
连接法兰尺寸 Connecting Flange Size		GB/12221
试验和检验 Test & Inspection		JB/T9092

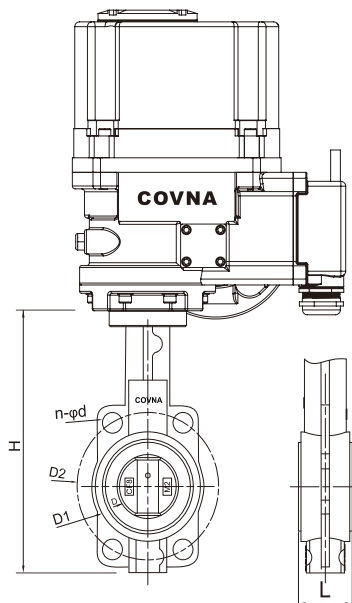


执行器参数 Actuator Technical Parameters

开关型 ON-OFF Type	反馈信号：有源触点/无源触点（干触点）信号/4-20mA/电阻信号 Feedback: the Active Contact Signal, Passive Contact Signal, Resistance, 4-20mA
调节型 Regulation Type	输入/输出信号 4-20mA/0-10 V/1-5 V Input & Output Signal: DC 4-20mA, DC 0-10V, DC 1-5V
现场可控型 Field Operation	带现场/远程控制开关、调节型以及 MODBUS, PROFIBUS 现场总线 The Field, Remote Control Switch Regulation and MODBUS, PROFIBUS Field Bus
电压 Optional Voltage	AC110-240V 380V 50/60Hz; DC12V, DC24V, 特殊电压可定制 AC110-240V 380V 50/60Hz; DC12V, DC24V, Special Voltage Can be Customized

产品参数 Technical Parameters

公称通径 Nominal Size	DN50~DN1000
阀体材质 Body Material	铸铁、碳钢(WCB)、不锈钢(CF8、CF8M) Cast Iron, Carbon Steel(WCB), Stainless Steel(CF8, CF8M)
连接类型 Connection Type	对夹, 法兰 Wafer, Flanged Type
压力等级 Pressure Rating	PN1.0
结构类型 Structure type	中线结构 Median line
阀座密封 Seat Material	PDEM: -10°C ~120°C PTFE: -30°C ~180°C
阀板材质 Disc Material	铸铁、不锈钢(CF8、CF8M) Cast Iron, Stainless Steel(CF8, CF8M)
阀杆材质 Stem Material	Stainless Steel (CF8, CF8M)
适用介质 Applicable Medium	水, 液体, 气体, 油, 粉, 蒸汽, 酸碱腐蚀性介质。 Water, Liquids, Gas, Oil, Powder, Steam, Acid-base Corrosive Medium.



主要外形及连接尺寸 Main Outline and Connecting

MEDLE	DN50	DN65	DN80	DN100	DN125	DN150	DN200	DN250	DN300	DN350	DN400	DN500	DN600
Inch	2"	2-1/2"	3"	4"	5"	6"	8"	10"	12"	14"	16"	20"	24"
D	50	65	80	100	125	150	200	250	300	350	400	500	600
D1	96	104	127	153	180	206	270	320	368	428	482	605	
D2	125	145	160	180	210	240	295	355	410	470	525	650	725
L	45	47	48	58	59	59	64	70	78	80	108	120	152
H	212	225	256	280	315	345	405	480	554				
n-φd	4-φ18	4-φ18	4-φ18	4-φ18	4-φ18	4-φ23	4-φ23	4-φ23	4-φ26	4-φ26	4-φ26	4-φ30	4-φ36