

- Characteristic: 1. Pilot operated piston construction with low power consumption
 2. Seal serves longtime at steam ambient
 3. Used for long-time working in pipeline system

Medium: Steam, Hot Water, Oil, etc.

Temperature: PTFE Seal: -10°C to 180°C

Graphite Seal: -10°C to 300°C

Pressure: 0.05Mpa~1.6Mpa NC

Port Size: 1/2", 3/4", 1", 1 1/4", 1 1/2", 2"

Port Thread: G, BSP, NPT

Orifice(mm): 12, 15, 20, 25, 32, 40, 50

Voltage: DC-12V, 24V, 36V
 AC-24V, 120V, 240V/60Hz; 110V, 220V/50Hz

Tolerance: ±10%

Coils: Y21H, 28VA(AC), 22W(DC), Ip65, 100%ED

Material: Body - Brass or stainless steel

Seal - PET

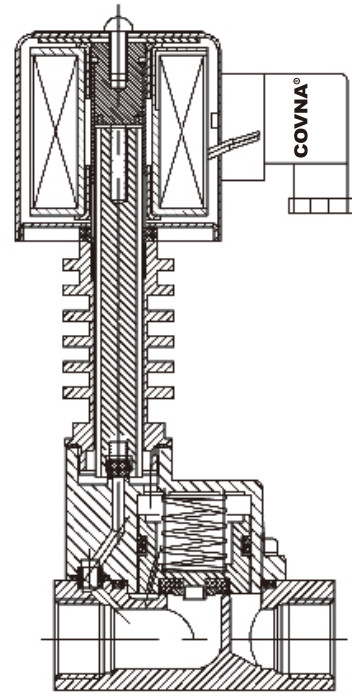
Armature Tube - Stainless Steel304

Plunger - Stainless Steel 430F

Stop - SS 403F

Springs - SS 304

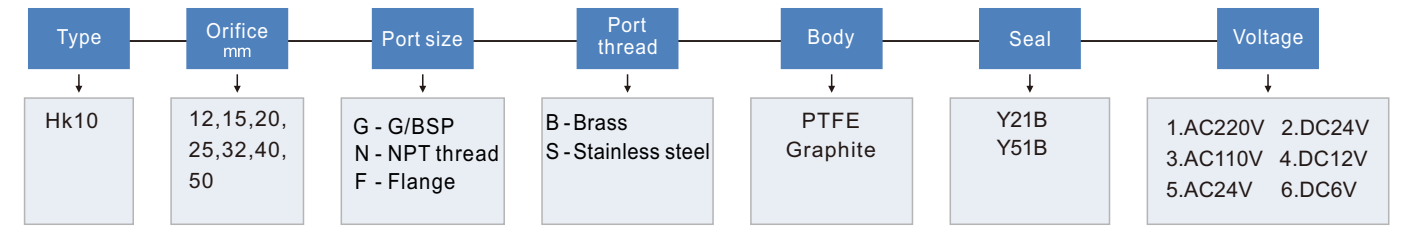
Shading Rings - Stainless Steel 304



Coils Parameters

Model	Picture	Voltage	Motor Power	Protection Class	Available For	Outline Size Drawing
Y21B		1.AC220V 2.AC110V 3.AC24V 1.DC24V 2.DC12V 3.DC6V <i>Special Voltage Can Be Customized</i>	18VA 16W	IP65	DN10 DN15 DN20 DN25	
Y51B		1.AC220V 2.AC110V 3.AC24V 1.DC24V 2.DC12V 3.DC6V <i>Special Voltage Can Be Customized</i>	70VA 50W	IP65	DN32 DN40 DN50	

Determine Valve Body Code



EXMAPLE:HK08 SERIES, NC, 25MM ORIFICE, 1"G, STAINLESS BODY, PET SEAL, COIL S21H, AC220V, DIN

Technical Parameters

Size	Port Size	Orifice mm	Cv	Min Pressure	Max Pressure	Operating Temperature	Weight
HK10-12	3/8"	12	4.5	0.05MPa	1.6MPa	PTFE: -10°C~180°C Graphite: -10°C~300°C	
HK10-15	1/2"	15	4.5	0.05MPa	1.6MPa		
HK10-20	3/4"	20	9.3	0.05MPa	1.6MPa		
HK10-25	1"	25	12	0.05MPa	1.6MPa		
HK10-32	1-1/4"	32	24	0.05MPa	1.6MPa		
HK10-40	1-1/2"	40	29	0.05MPa	1.6MPa		
HK10-50	2"	50	48	0.05MPa	1.6MPa		
HK10F-25	1"	25	12	0.05MPa	1.6MPa		
HK10F-32	1-1/4"	32	24	0.05MPa	1.6MPa		
HK10F-40	1-1/2"	40	29	0.05MPa	1.6MPa		
HK10F-50	2"	50	48	0.05MPa	1.6MPa		

Outline Size Drawing

Hk10 Thread

阀体	A	B	C
DN15	73	48	176
DN20	83	60	189.5
DN25	100	72	189.5
DN32	130	96	214
DN40	130	96	214
DN50	155	122	228

Hk10 Flange

阀体	A	B	C	D	n-φd
DN15					
DN20					
DN25					
DN32					
DN40					
DN50					