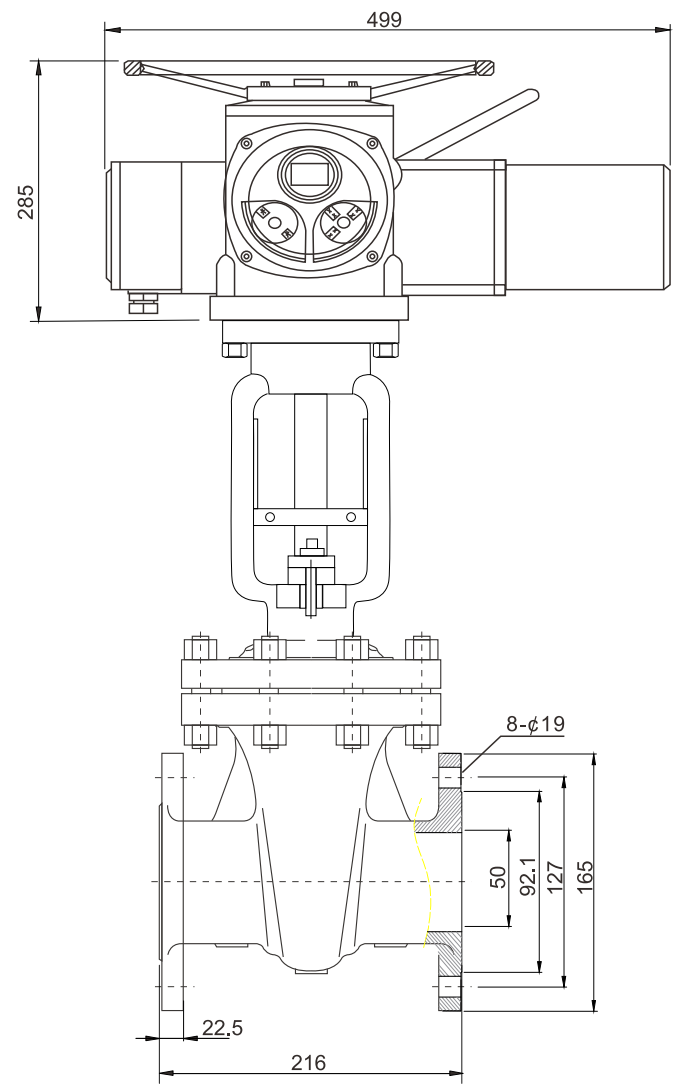


ZONE		REV	DESCRIPTION	DATE	APPROVED



Standard	
Basic design:	API – 6D
Face to face:	ANSI B16.10
Flange dimension:	ANSI B16.5
Inspection & testing:	598
Fire test:	API 6FA

Construction materials	
Body & bonnet :	Carbon steel (A216 GR WB)
Stem:	ASTM 182 F6A.ENP
Slab gate + seat:	ASTM A105.ENP
Stem packing:	PTFE
Seat Seal:	PTFE
Motor Actuator	Supply 380 V / 50 HZ
Signal	4 – 20 mA valve must close when control signal fails

TOLERANCE UNLESS OTHERWISE SPECIFIED
DECIMALS: .0 ± .1 .00 ± .01 .000 ± .005
ANGLES: MACH. ±1°00" FORMED ±2°
FRACTIONS: ± 1/16"
APPROVED BY BOND
CHECKED BY JULIA
DRAWING BY C L

科威納 | COVNA® VALVE COVNA GROUP CO.,LTD

TITLE
2 Inch ANSI 300LB Electric Gate Valve

FSCM:	DWG NO.	REV A
SIZE mm	SCALE 1:1	SHEET
SHEET 1 OF 1		