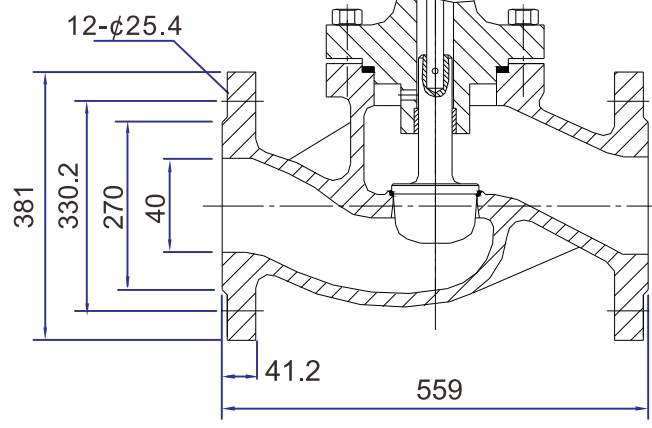
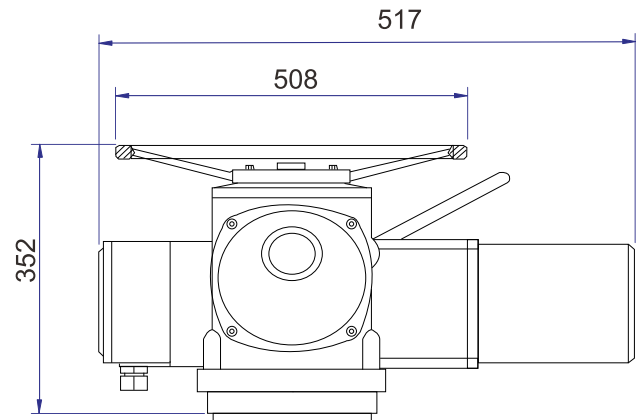


ZONE		REV	DESCRIPTION	DATE	APPROVED



Standard	
Basic design:	API – 6D
Face to face:	ANSI B16.10
Flange dimension:	ANSI B16.5
Inspection & testing:	598
Fire test:	API 6FA

Construction materials	
Body & bonnet :	Carbon steel (A216 GR WB)
Stem:	ASTM 182 F6A.ENP
Slab gate + seat:	ASTM A105.ENP
Stem packing:	PTEF
Seat Seal:	PTEF

Motor Actuator	220V AC 1Ph / 60Hz
Signal Construction	4 – 20 mA valve must close when control signal fails Explosion proof (EX)
Inlet Temperature	Max. 65°C min. – 30°C
Shut off up For actuator Sizing	50 kg / cm <sup>2</sup>
Oil Specific gravity	Between ( 0.76 – 0.83 )

TOLERANCE  
UNLESS OTHERWISE SPECIFIED  
DECIMALS: .0 ± .1  
.00 ± .01  
.000 ± .005  
ANGLES: MACH. ± 1° 00'  
FORMED ± 2°  
FRACTIONS: ± 1/16"

APPROVED BY  
BOND

CHECKED BY  
JULIA

DRAWING BY  
C L

**科威納 | COVNA® VALVE COVNA GROUP CO., LTD**

TITLE  
**8 Inch ANSI 300LBElectric Globe Valve**

FSCM:	DWG NO.	REV <b>A</b>
SIZE mm	SCALE 1:1	SHEET 
		SHEET 1 OF 1